



High conversion efficiency
High module efficiency to guarantee power output.



Easy Installation and Handling
For various applications



Outstanding low irradiation performance
Excellent module efficiency even in the weak light conditions, such as morning or cloudy.



Excellent loading capability
2400Pa wind loads, 5400Pa snow loads.



0 to +5W positive tolerance
Detailed information in Electrical Specifications



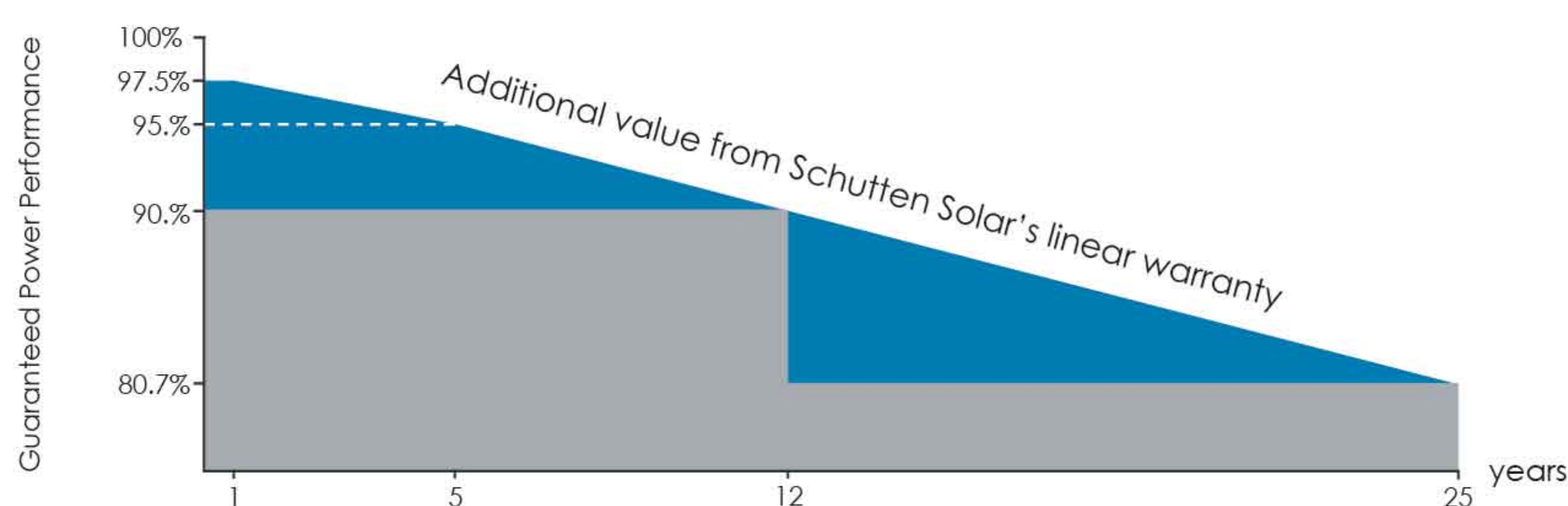
Durability against extreme environmental
High salt mist and ammonia resistance certified by TUV NORD



4BB/5BB Solar Cell:

adopts new technology to improve the efficiency of modules, offers a better aesthetic appearance, perfect for rooftop installation.

LINEAR PERFORMANCE WARRANTY



12 YEARS

Guarantee on product material and workmanship

25 YEARS

Linear power output warranty

CERTIFICATES



INSURANCE



Anhui Schutten Solar Energy Co.,Ltd

Schutten Solar (Nanjing) :Room 1812,Building A,Wanda Plaza,No.102 Middle Jiangdong Road, Nanjing, Jiangsu, China 210019

Schutten Solar (Chuzhou) :Weisan Road,Quanjiao Economy and Development Area Chuzhou,Anhui,China 239500

Schutten Solar (Thailand) :1999/24 District Sriwara,Soi Ladprao 94(Panjamit),Plubpla,Wang Thong Lang,Bangkok,Thailand,10310



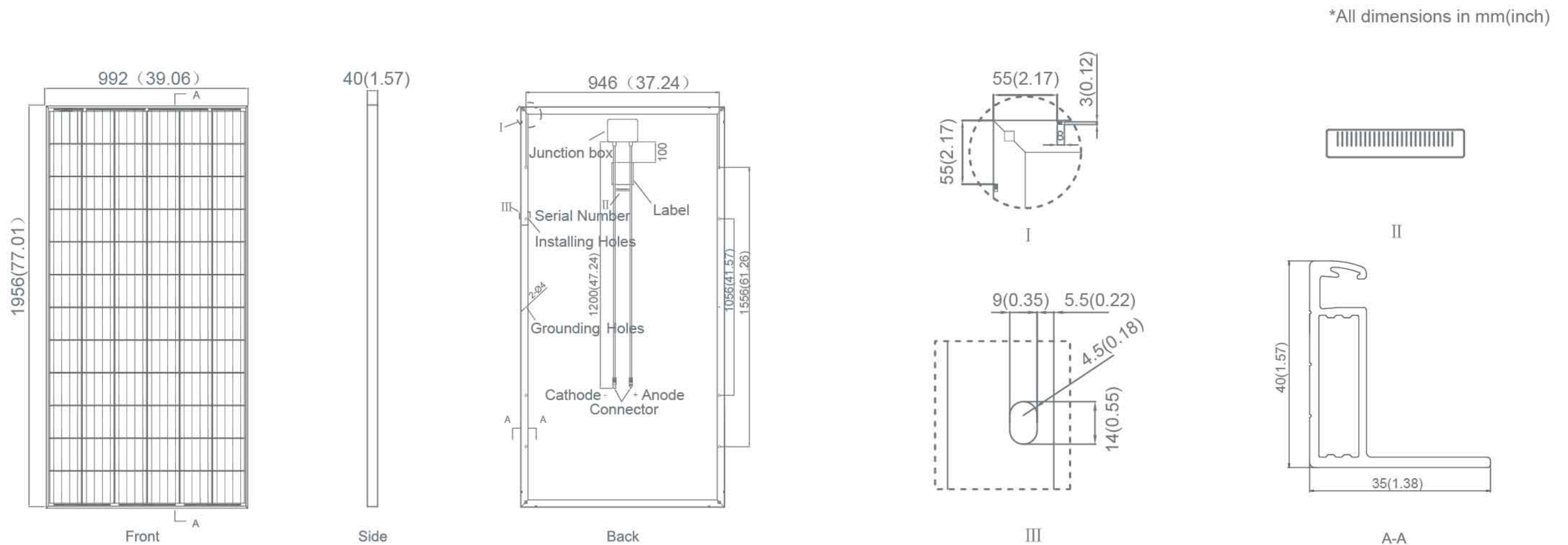
www.schutten-solar.com

Electrical Characteristics

| Module Type | STP6-300/72 | STP6-305/72 | STP6-310/72 | STP6-320/72 | STP6-325/72 | STP6-330/72 |
|-----------------------------|---------------|-------------|---|-------------|-------------|-------------|
| | STC | STC | STC | STC | STC | STC |
| Maximum Power (Pmax) | 300Wp | 305Wp | 310Wp | 320Wp | 325Wp | 330Wp |
| Maximum Power Voltage (Vmp) | 36.10V | 36.49V | 36.91V | 37.70V | 38.02V | 38.38V |
| Maximum Power Current (Imp) | 8.32A | 8.36A | 8.40A | 8.49A | 8.55A | 8.60A |
| Open-circuit Voltage (Voc) | 45.25V | 45.52V | 45.69V | 46.06V | 46.25V | 46.42V |
| Short-circuit Current (Isc) | 8.98A | 9.04A | 9.09A | 9.19A | 9.24A | 9.29A |
| Module Efficiency STC (%) | 15.48% | 15.72% | 15.98% | 16.50% | 16.75% | 17.01% |
| Operating Temperature(°C) | -40°C~+85°C | | Temperature coefficients of Pmax | | -0.41%/°C | |
| Maximum system voltage | 1000VDC (IEC) | | Temperature coefficients of Voc | | -0.33%/°C | |
| Maximum series fuse rating | 15A | | Temperature coefficients of Isc | | +0.03%/°C | |
| Power tolerance | (0, +5) | | Nominal module operating temperature (NMOT) | | 45±2 °C | |

STC: Irradiance 1000W/m² Cell Temperature 25°C AM=1.5

Engineering Drawings



Mechanical Characteristics

| | | |
|-----------------------|--|--|
| Cell Type | Poly-crystalline 156×156mm (6 inch) | |
| No. of cells | 72 (6×12) | |
| Dimensions | 1956×992×40mm (77.00×39.05×1.57 inch) | |
| Weight | 21.0 kg (46.3 lbs.) | |
| Front Glass | 3.2mm, High Transmission, Low Iron, Tempered Glass | |
| Frame | Anodized Aluminium Alloy | |
| Junction Box | IP67 Rated | |
| Output Cables | 4.0mm, Length: 1200mm | |
| Connector | MC4 Compatible | |
| Maximum Snow Load | 550Kg/m ² | |
| Maximum Wind Load | 200Km/h | |
| Hailstone Impact Test | 80Km/h for 25mm ice ball | |

Packaging Configuration

| Container | 20' GP | 40' HQ |
|-----------------------|--------------|---------|
| Pieces Per Pallet | 26 / 22 / 16 | 26 / 4 |
| Pallets Per Container | 5 / 5 / 1 | 24 / 12 |
| Pieces Per Container | 256 | 672 |

Current-Voltage & Power-Voltage Curve

